

8-3/8" (213mm)

INSTALLATION INSTRUCTION

Place this template against the wall and drill the holes through the marked opening in each corner.

Lead the power supply and grounding cable through the connector opening at the bottom and mount the dryer using four anchor screws provided.

Connect grounding cable to terminal using earth way screw, and fasten the remaining two cables to terminal using the other two screws.

Close the dryer with the cover using the two screws provided.

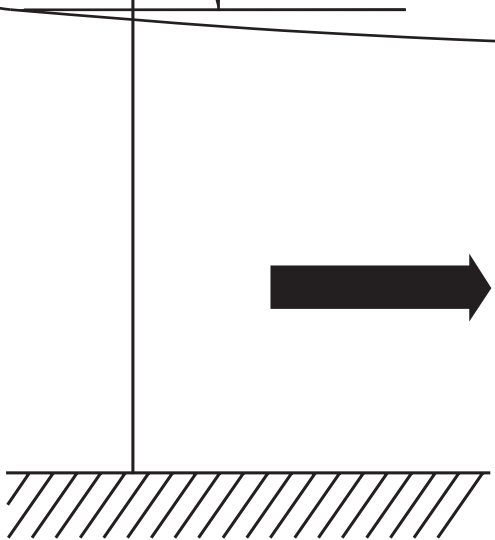
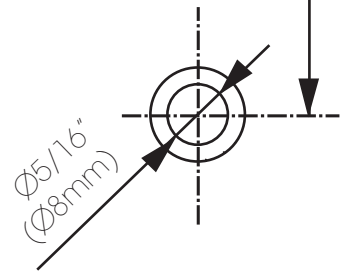
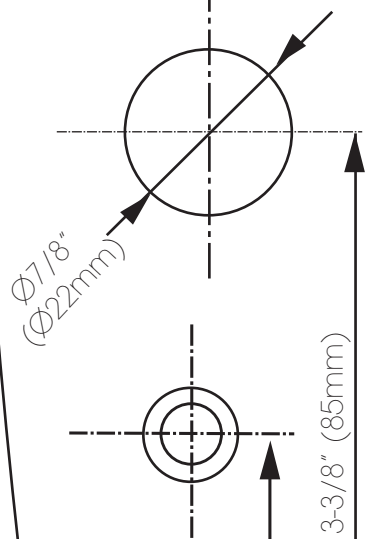
WARNING

Hand dryer must be handled only by an authorized technician.

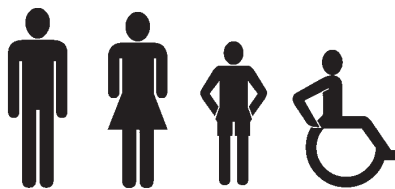
When opening the cover, electrical live parts are accessible.

9-5/8" (244mm)

1-3/16" (30mm)



H = Distance from floor



47" 45" 37" 40"
120 cm 115 cm 95 cm 100 cm